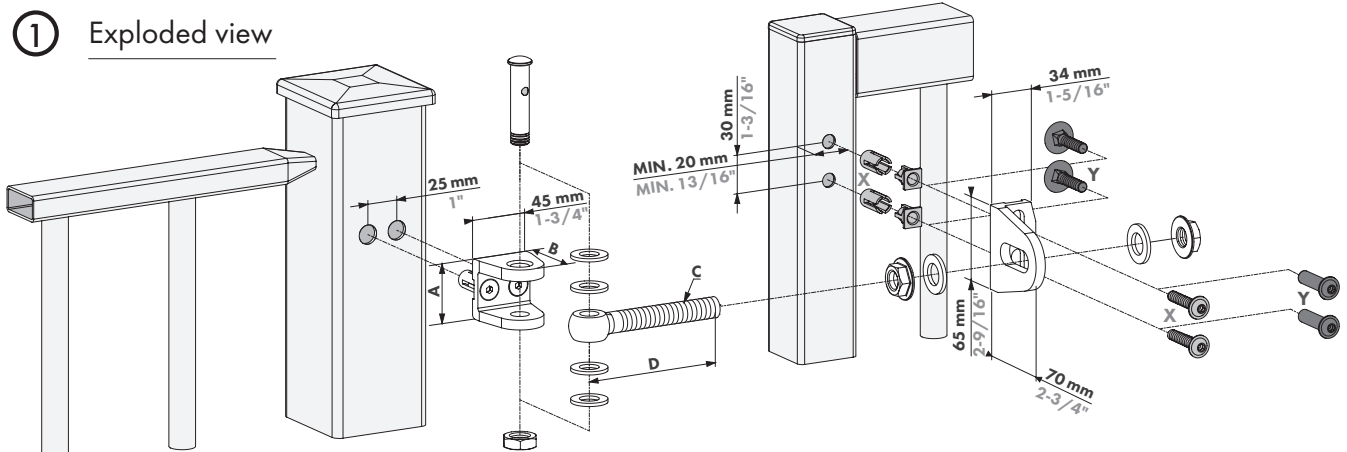


LOCINOX®

Let's make it better together

BOLTON4D

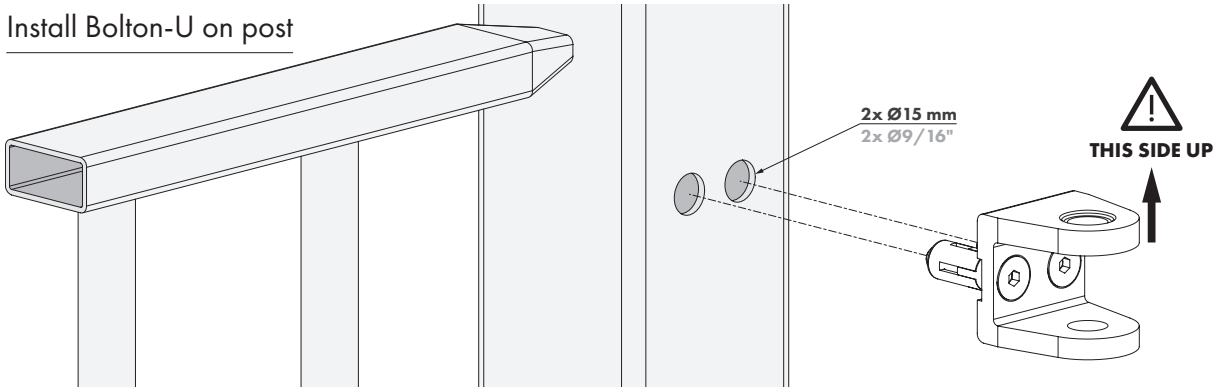
1 Exploded view



	A		B		C		D	
	mm	inch	mm	inch	mm	inch	mm	inch
BOLTON4D-12	35,5	1-3/8"	42	1-5/8"	Ø12	Ø1/2"	90	3-9/16"
BOLTON4D-16	46,5	1-13/16"	50	2"	Ø16	Ø5/8"	110	4-5/16"

X	Y
QUICK-FIX	BOLT THROUGH FIXATION

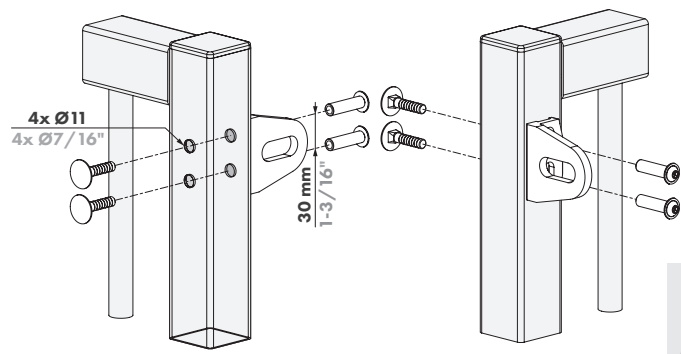
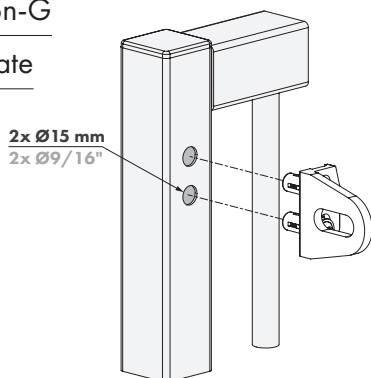
2 Install Bolton-U on post



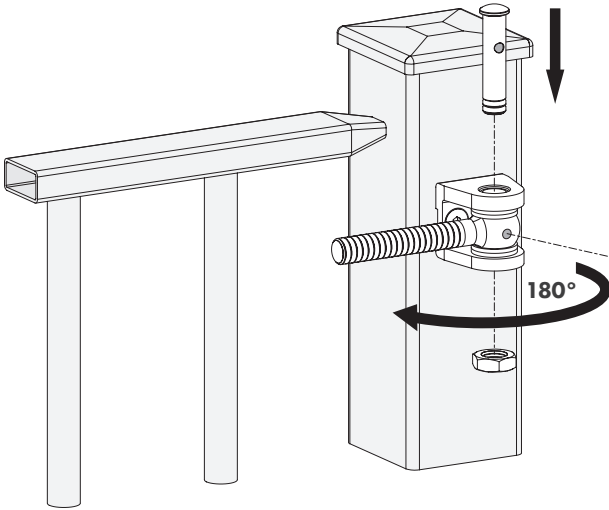
3 Install Bolton-G on gate

A: With Quick-Fix

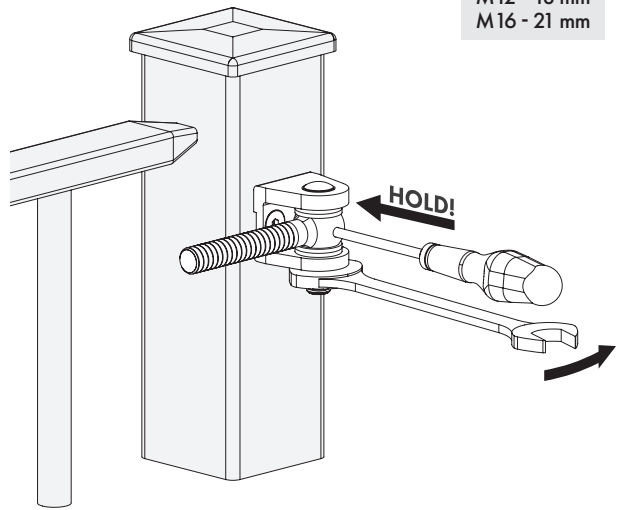
B: With bolt through fixation




④ Position cross bolt and turn eyebolt 180°

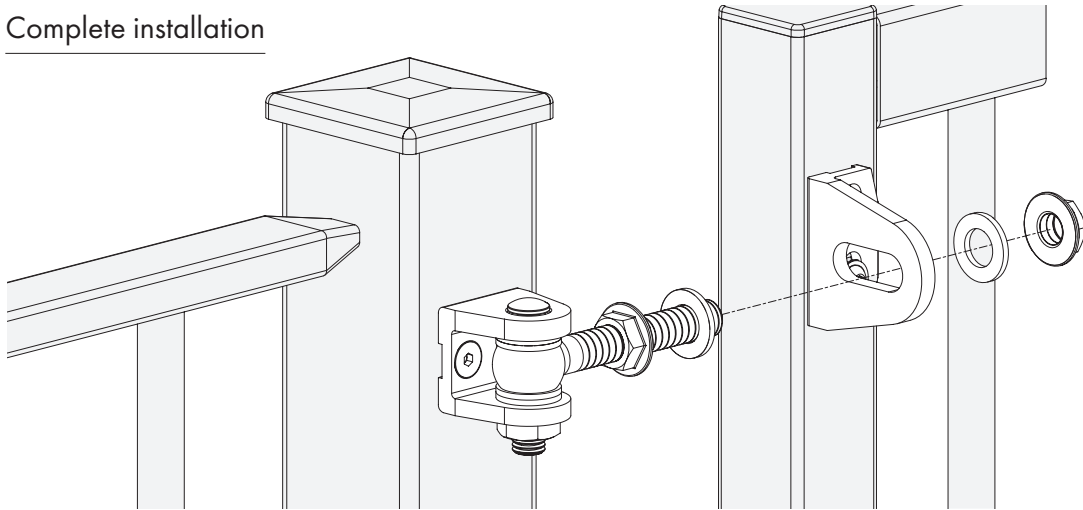



⑤ Fix cross bolt



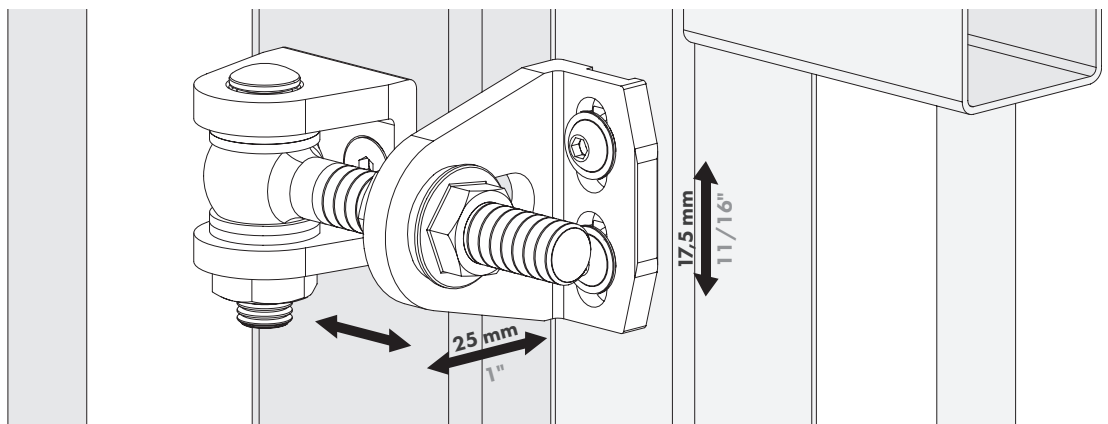

M12 - 18 mm
M16 - 21 mm

⑥ Complete installation




M12 - 18 mm
M16 - 24 mm

⑦ Adjust gate and post



LOCINOX
Let's make it better together

Doc. Nr.: MANU-000382

Locinox NV • Brabantstraat 107 • 8790 Waregem • Belgium
Locinox CEE • Irysowa 9 • 55-040 Bielany Wrocławskie • Poland
Locinox LLC • 460 Windy Point Drive • Glendale Heights - IL 60139 • USA

