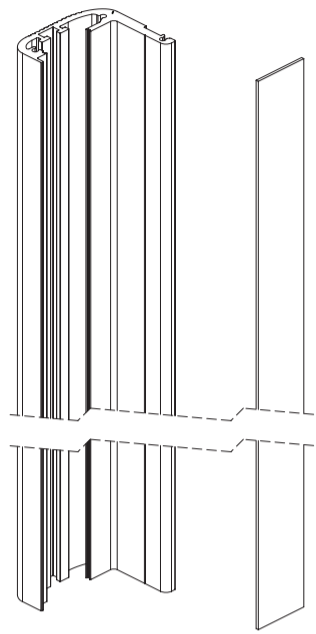


LOCINOX®

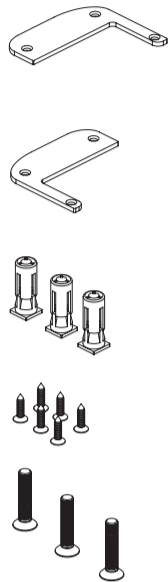
Let's make it better together

MAGUNIT-2500: INSTALLATION INSTRUCTION

① Package content



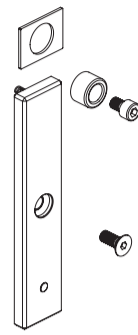
N-LINE-B-MAG



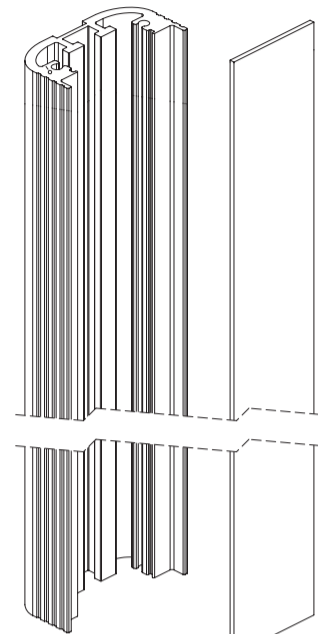
MAGUNIT-2500



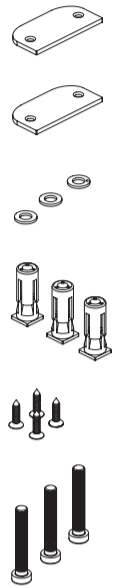
ANCHOR PLATE



POSITIONING NUTS

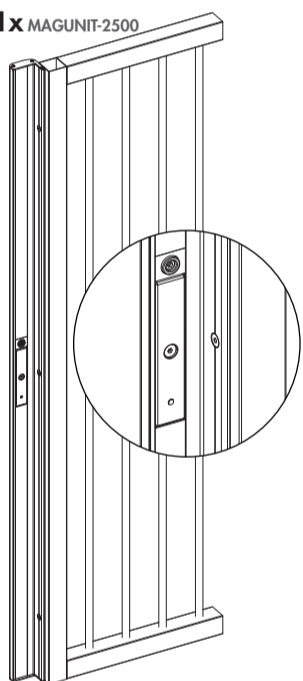


N-LINE-S-MAG

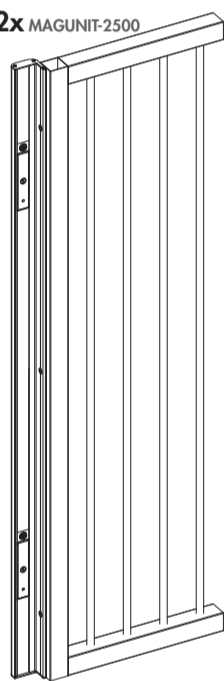


② N-LINE-B-MAG: Swing Gate Configurations

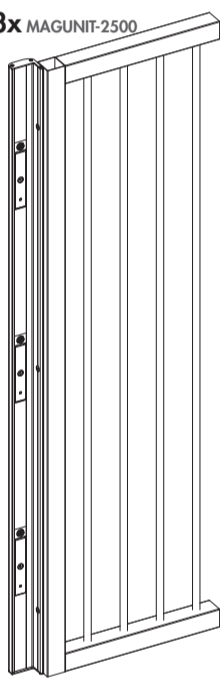
1x MAGUNIT-2500



2x MAGUNIT-2500

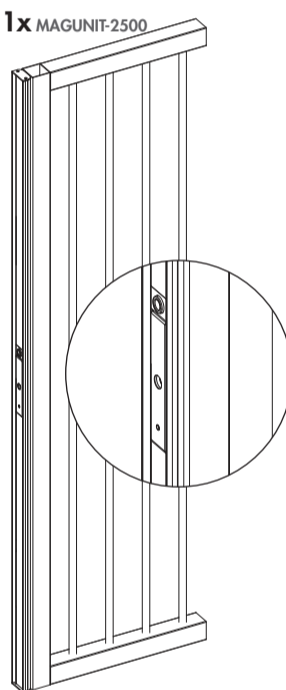


3x MAGUNIT-2500



② N-LINE-S-MAG: Sliding Gate Configurations

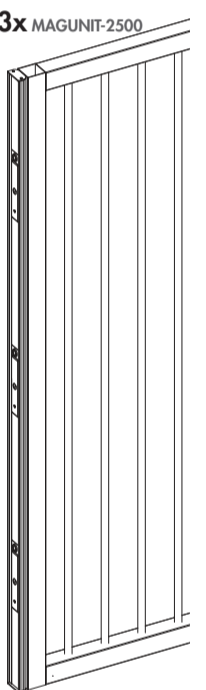
1x MAGUNIT-2500



2x MAGUNIT-2500



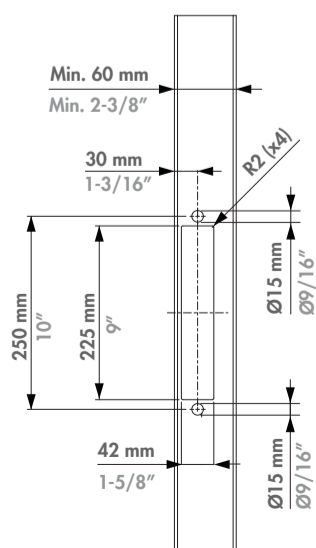
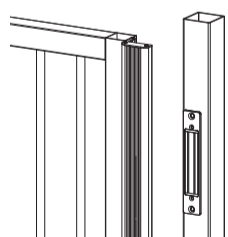
3x MAGUNIT-2500



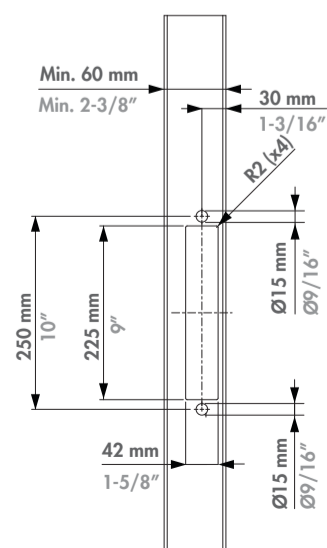
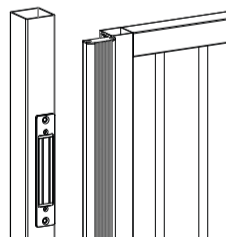
③ Fence post preparation for MAGUNIT-2500

N-LINE-B-MAG

LEFT HAND SWING GATE

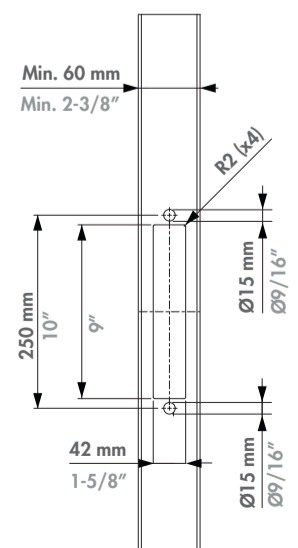
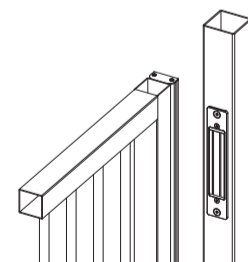


RIGHT HAND SWING GATE

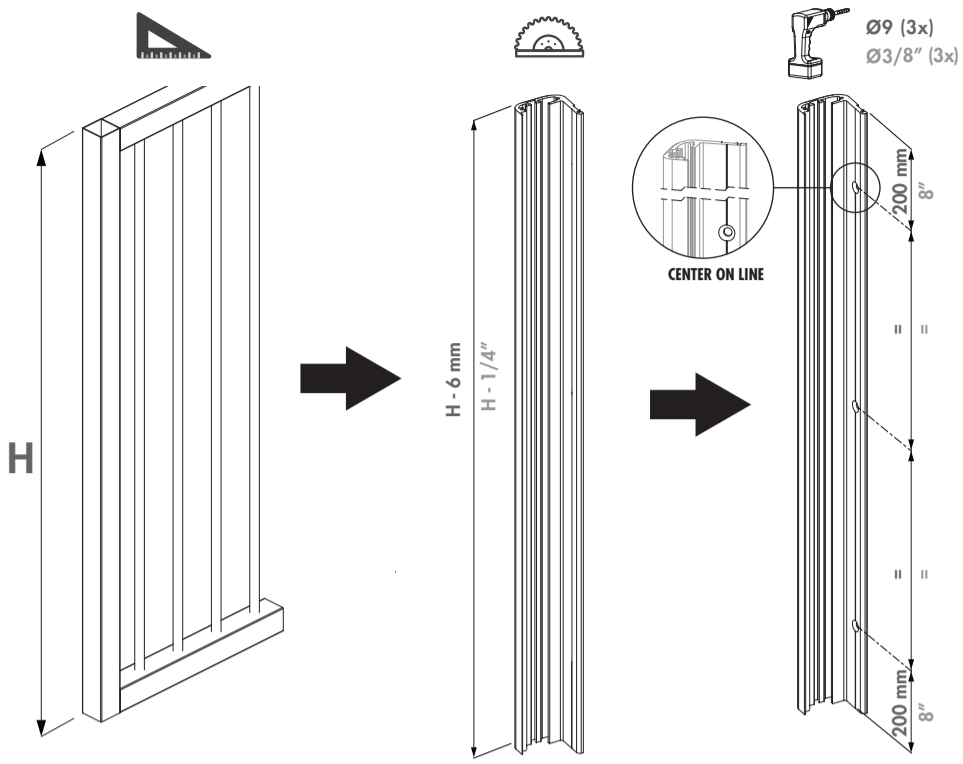


N-LINE-S-MAG

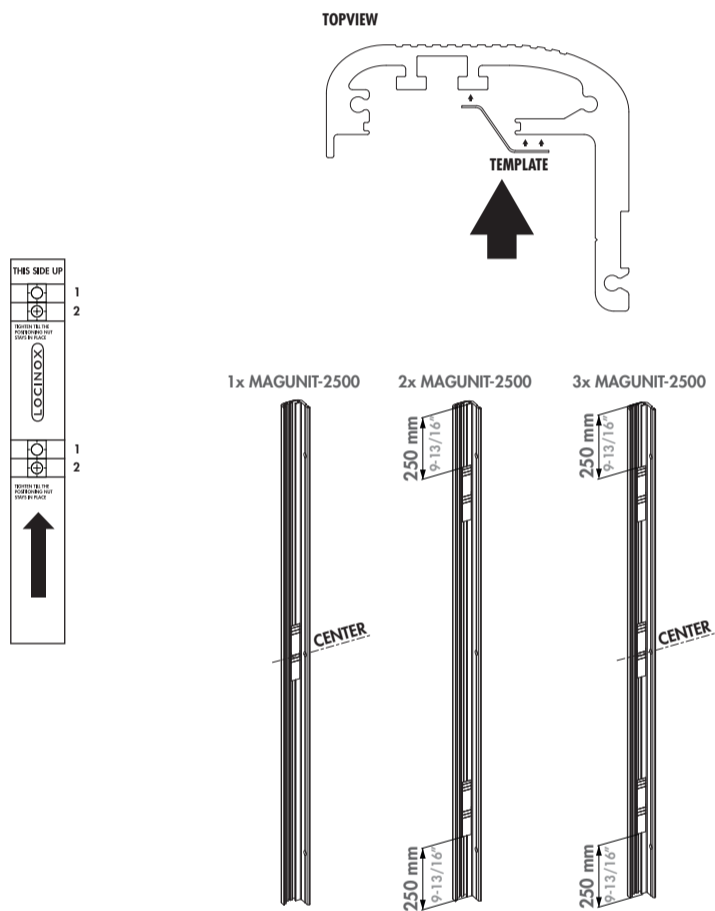
SLIDING GATES



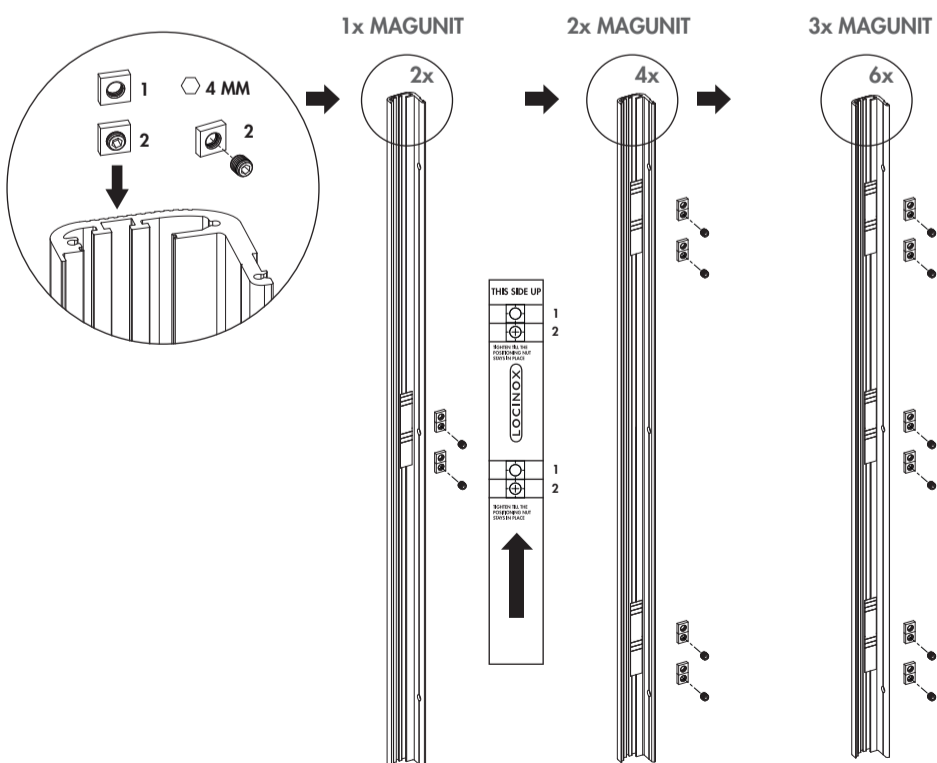
④ Adjusting N-LINE-B-MAG Length & Drilling Holes



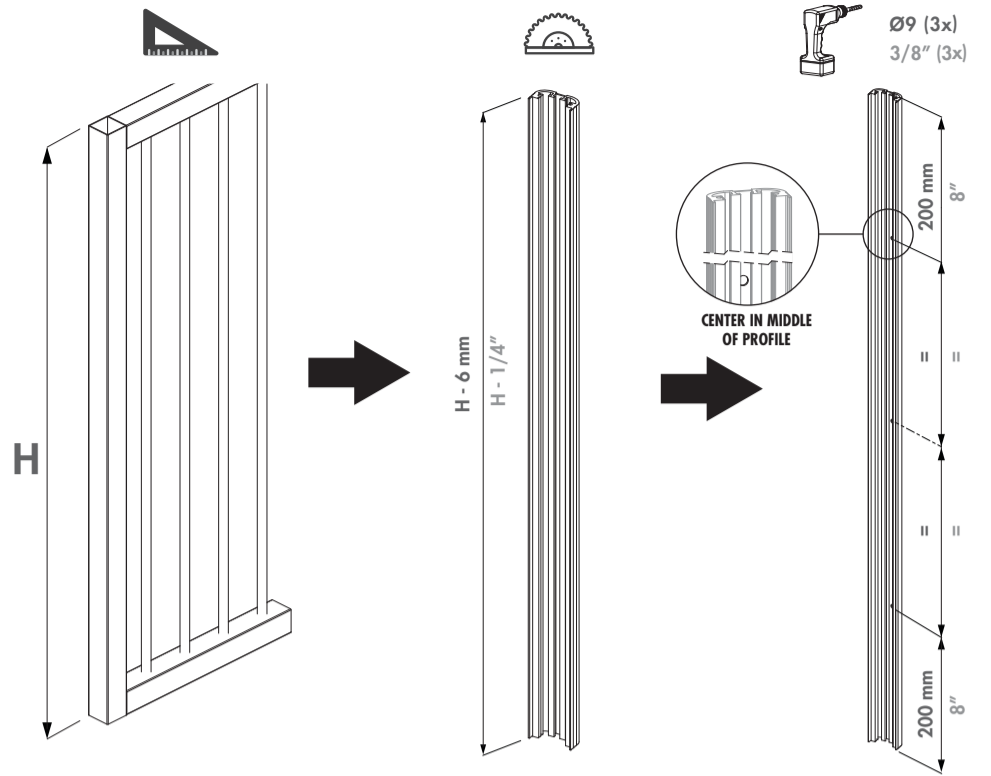
⑤ Aligning and placing templates



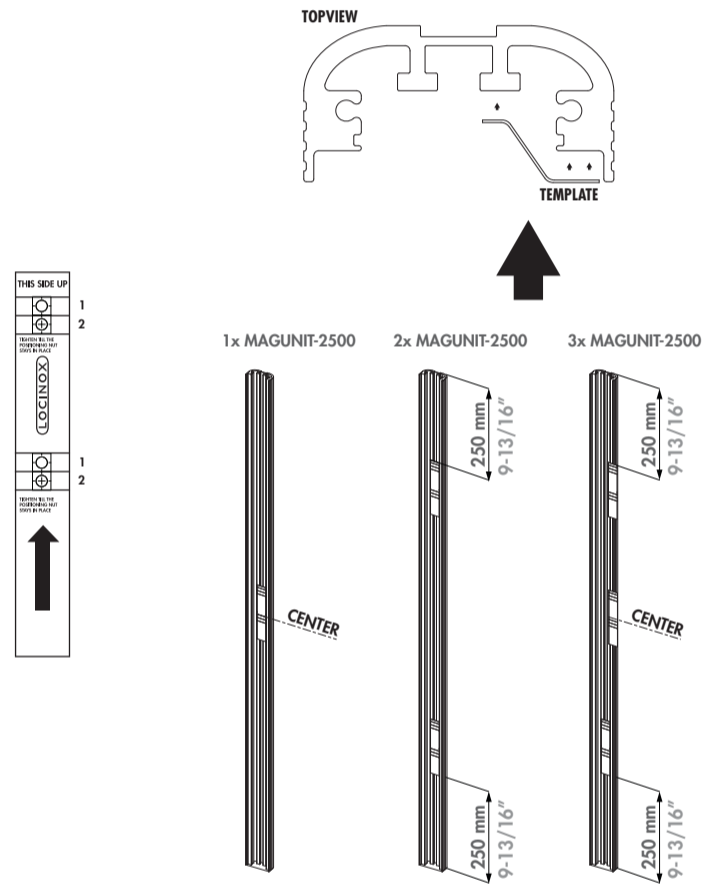
⑥ Placing square nuts



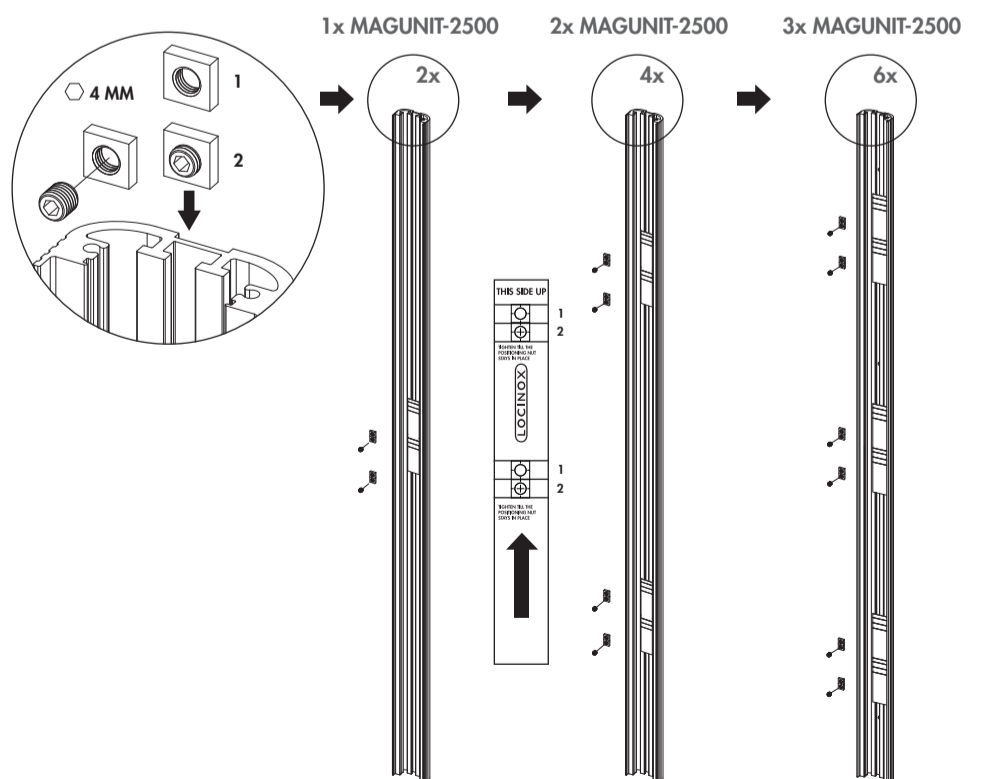
④ Adjusting N-LINE-S-MAG Length & Drilling Holes



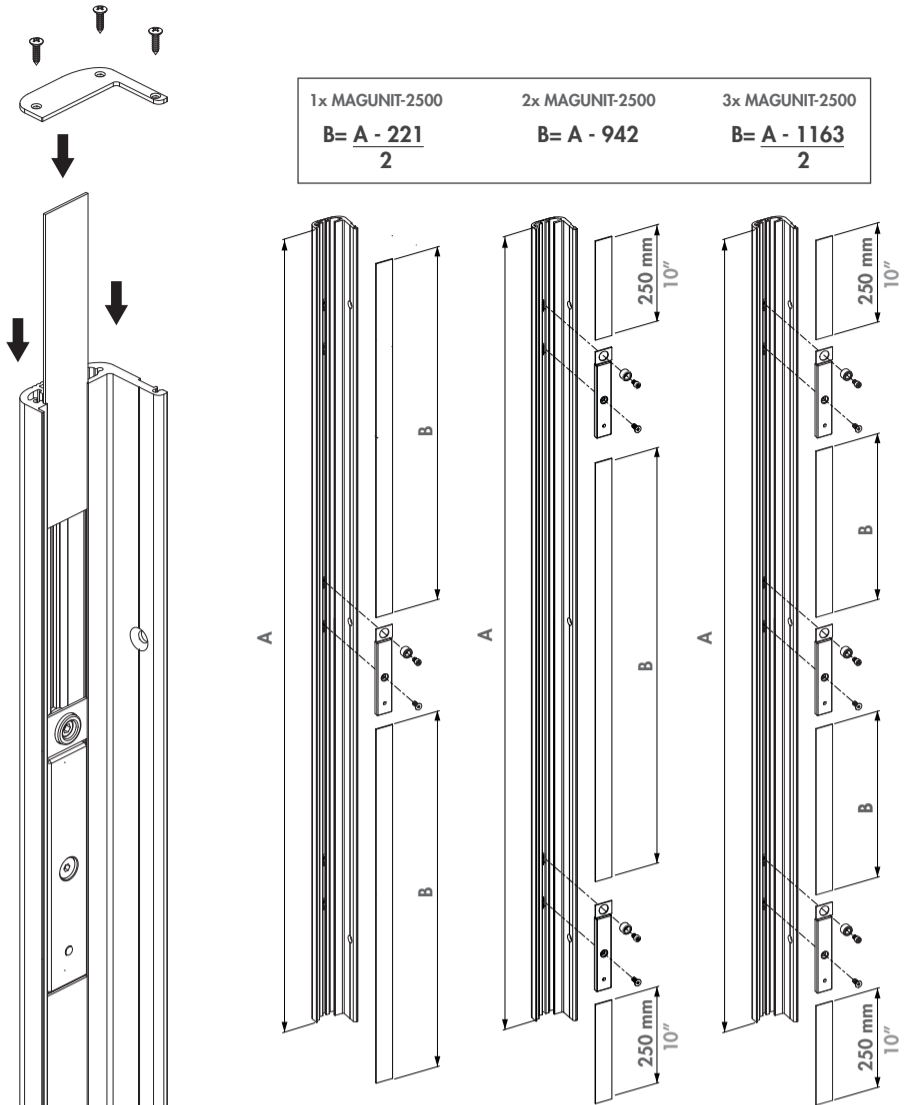
⑤ Aligning and placing templates



⑥ Placing square nuts

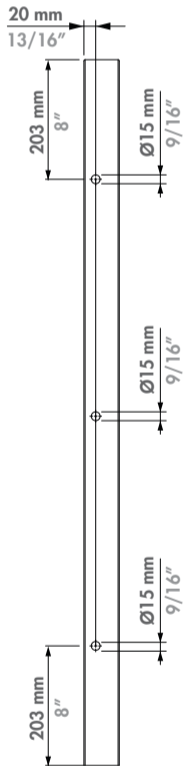


⑦ Placing anchorplates, shim plates and covers

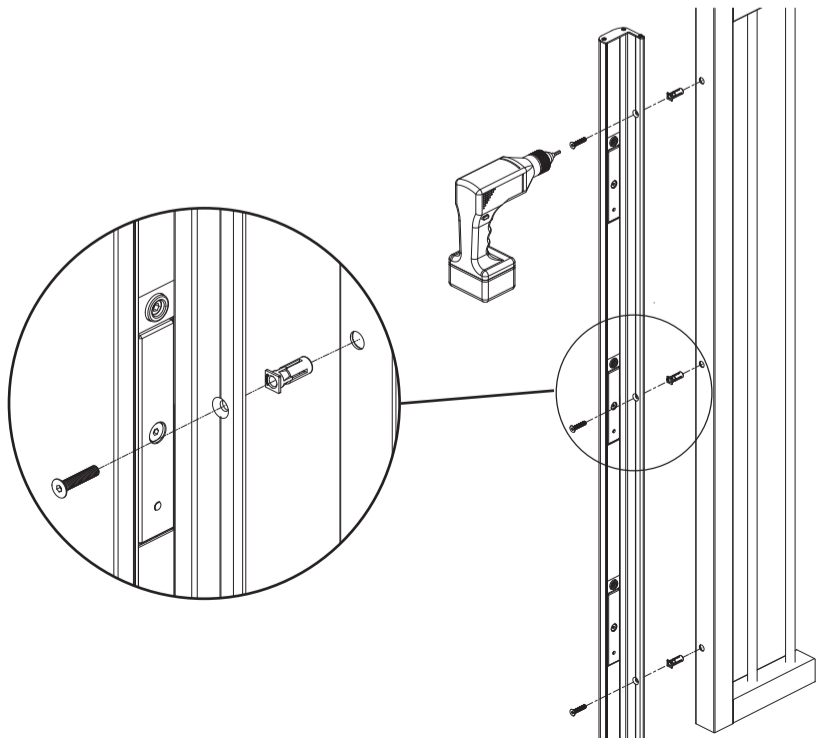
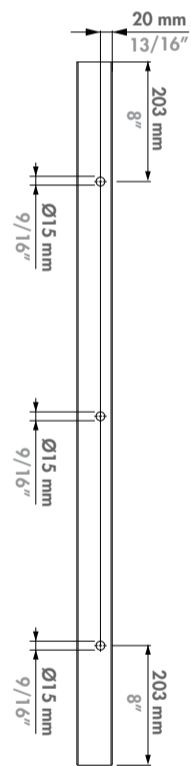


⑧ Drill holes in gate frame and mount N-LINE-MAG

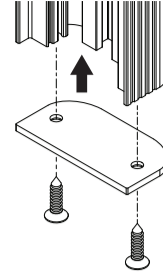
LEFT HAND GATE



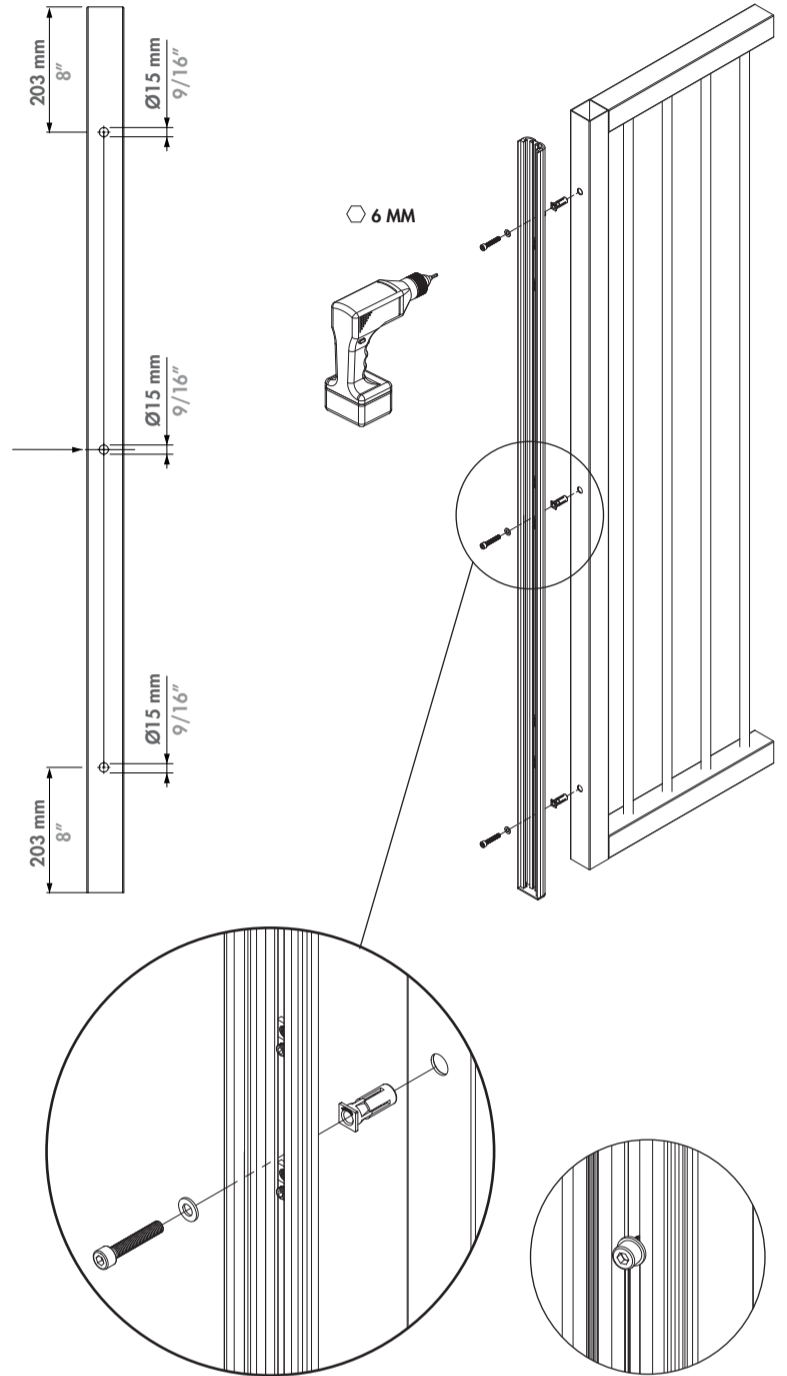
RIGHT HAND GATE



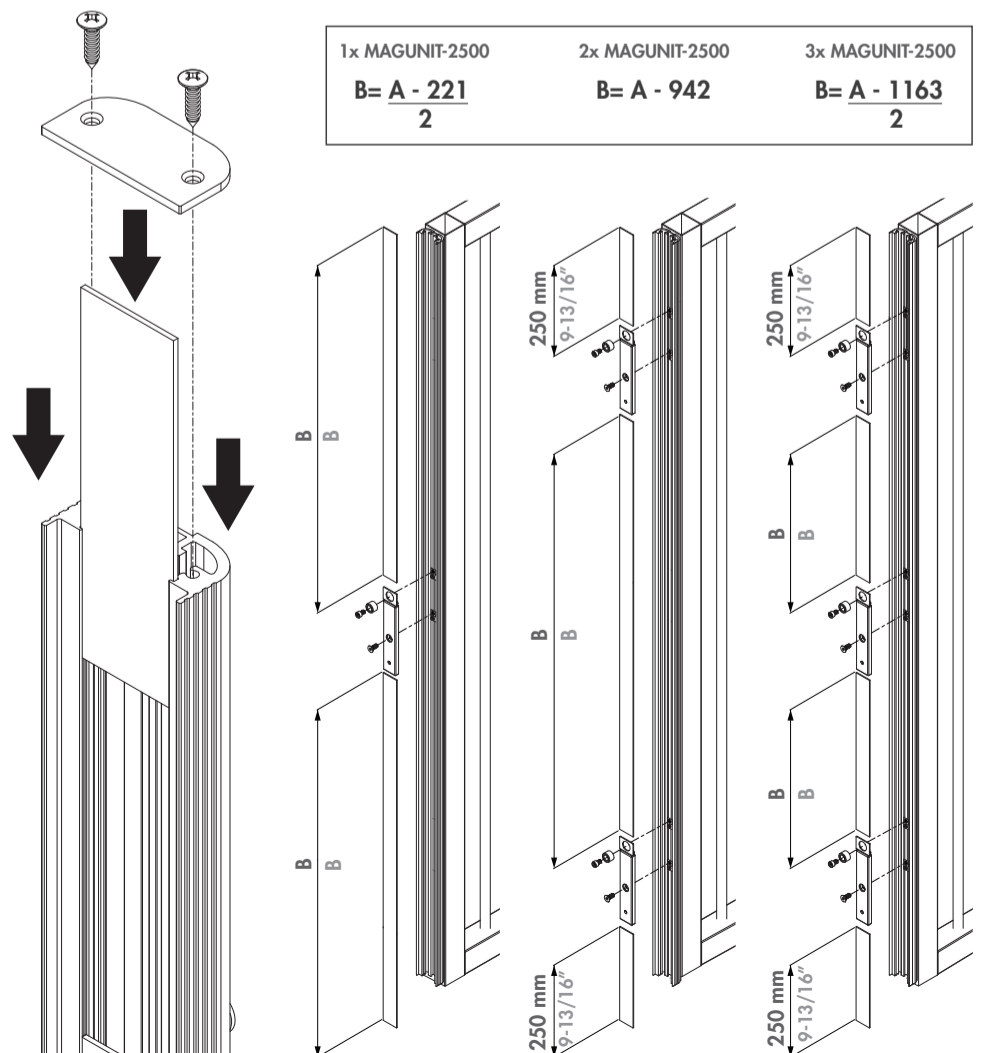
⑦ Bottom cover installation



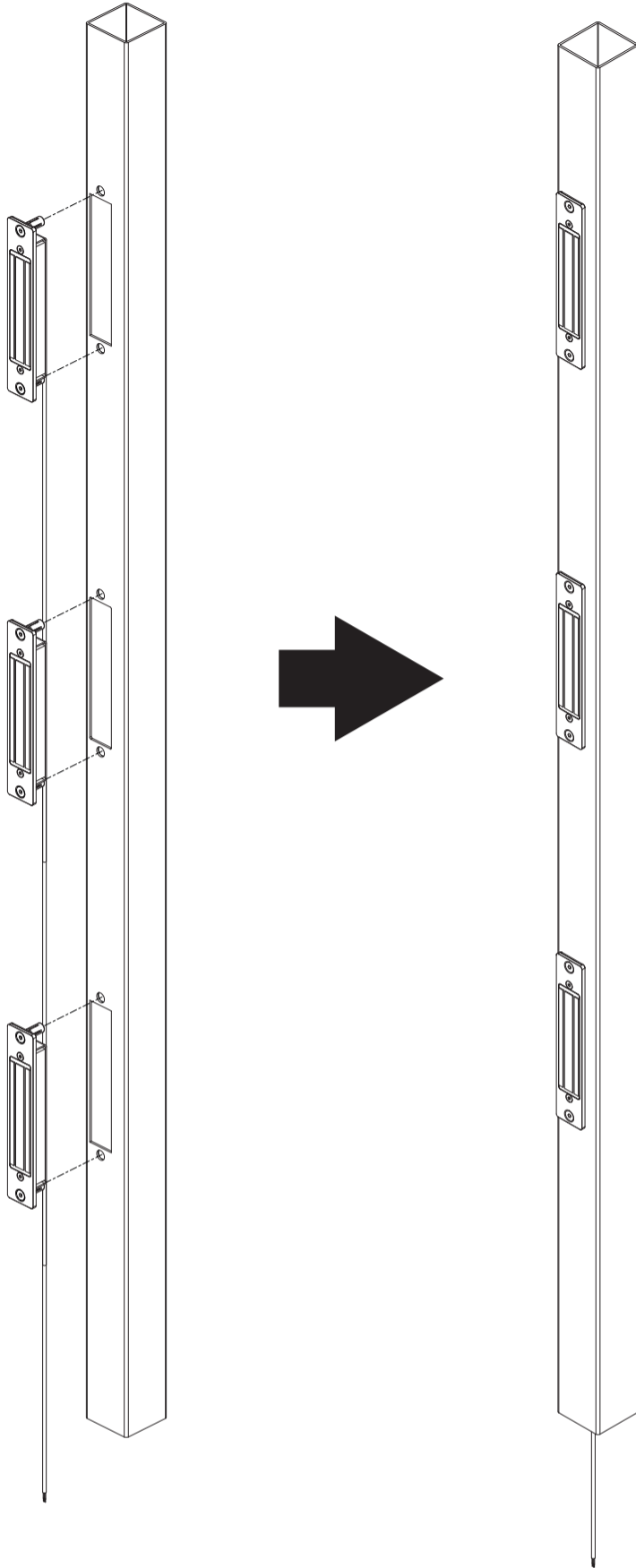
⑧ Drill holes in gate frame and mount N-LINE-MAG



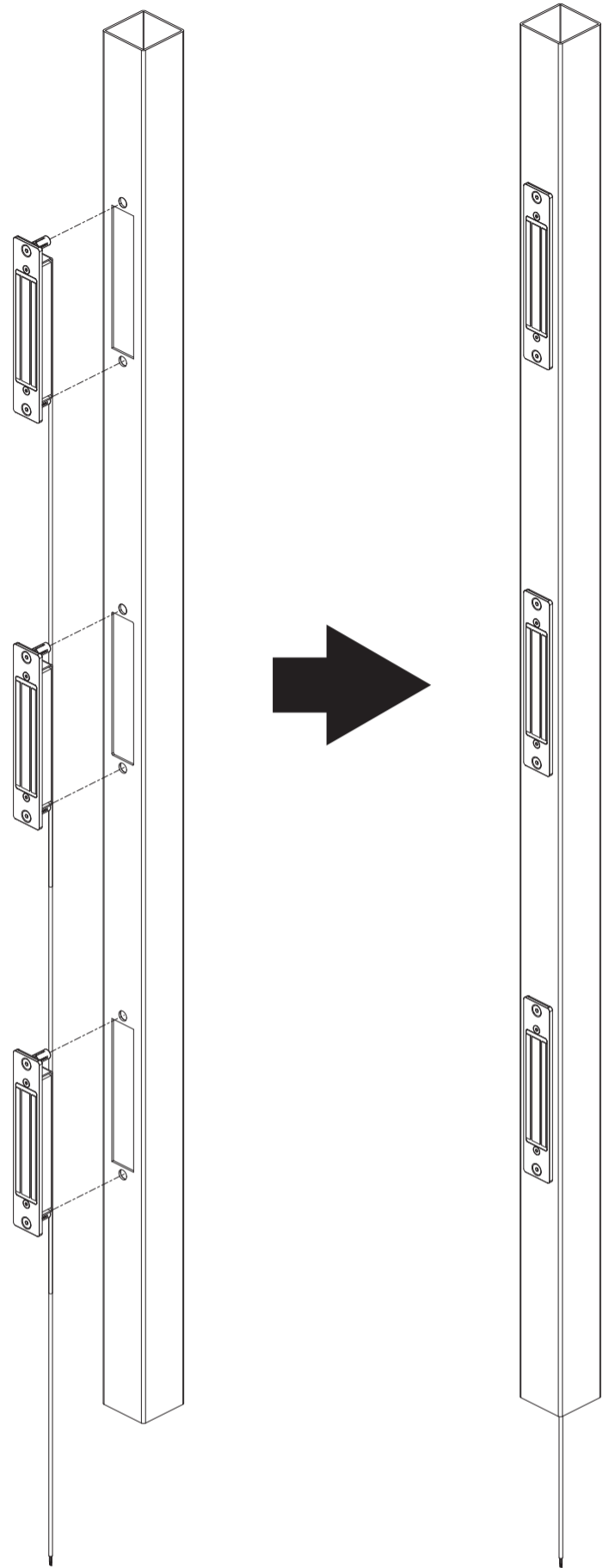
⑨ Placing anchorplates, shim plates and covers



⑨ MAGUNIT installation



⑩ MAGUNIT installation



12 AND 24V DC - SITUATION

