



SCAN FOR  
MORE INFO

# HELIOS

## CUBE55

PAINTABLE

LONG OUTDOOR LIFETIME

WARM WHITE LIGHT



**LOCINOX**<sup>®</sup>

Let's make it better together

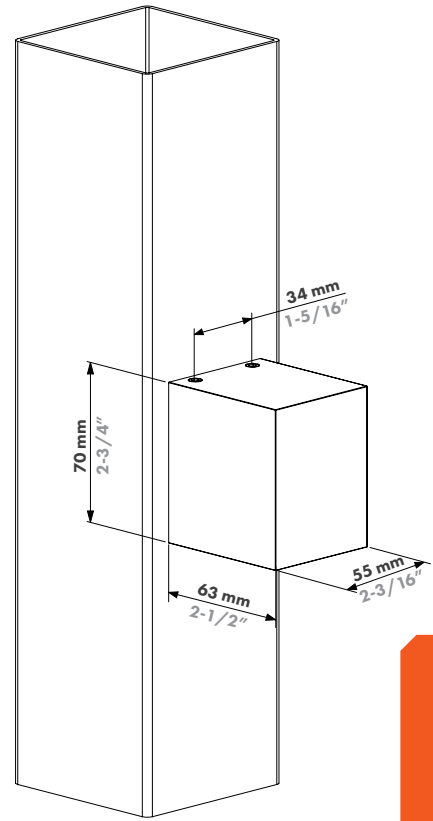
## Architectural Lighting

Discover the perfect harmony between functionality and aesthetics with Helios, the architectural outdoor lighting designed by Locinox.

The lighting portfolio not only offers an increased level of safety, but also adds a stunning accent to gates and gardens.



Find out more: [locinox.com](http://locinox.com) | [help@locinox.com](mailto:help@locinox.com)



SCAN FOR  
MORE INFO

**LOCINOX**

# CUBE55

## What makes it special?

- Easy to install by everyone - technical or non-technical
- Fit for wall, post, and profile installation
- Daisy chaining possible
- Durable
- Tested in all kinds of weather conditions
- Aesthetical, timeless designs
- Available in a paintable version
- Interchangeable
- Versatile- can be combined with aluminium, steel, wood posts
- Easy and minimal gate preparation



Find out more: [locinox.com](https://locinox.com) | [help@locinox.com](mailto:help@locinox.com)

## Features

Lamp type:	LED
Lifetime:	50 000 h
Brightness:	230V AC version: 300 lumen 24V DC version: 270 lumen
Color temperature:	230V AC: 2700 K 24V DC: 2700 K
Color options:	Black Silver Anthracite Paintable
Outdoor rated:	IP65
IK rating:	IK06
Outdoor usage:	-30°C – 70°C 20-95% RH
Power consumption:	230V AC version: max 4.6W 24V DC version: max 3W
Beam Angle:	Ambient
Materials:	Aluminium, Engineered plastic
Certifications	CE



SCAN FOR  
MORE INFO

# HELIOS

## CUBE75

PAINTABLE

LONG OUTDOOR LIFETIME

WARM WHITE LIGHT



**LOCINOX**<sup>®</sup>

Let's make it better together

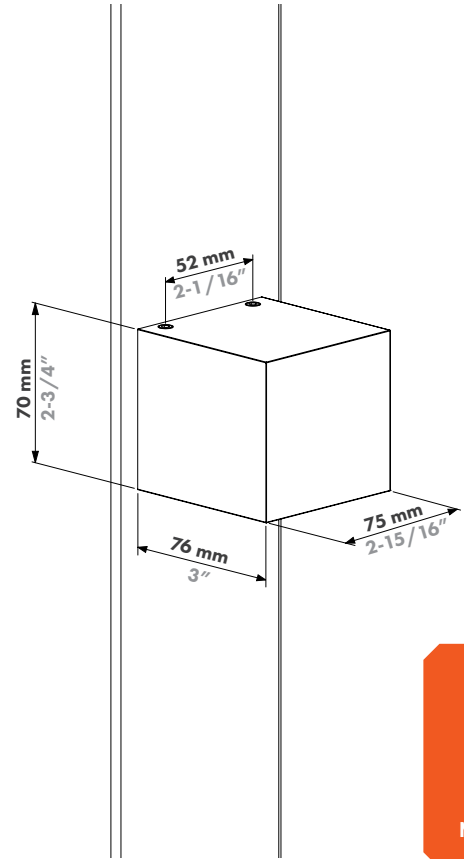
## Architectural Lighting

Discover the perfect harmony between functionality and aesthetics with Helios, the architectural outdoor lighting designed by Locinox.

The lighting portfolio not only offers an increased level of safety, but also adds a stunning accent to gates and gardens.



Find out more: [locinox.com](https://locinox.com) | [help@locinox.com](mailto:help@locinox.com)



SCAN FOR MORE INFO

**LOCINOX**

# CUBE75

## What makes it special?

- Easy to install by everyone - technical or non-technical
- Fit for wall, post, and profile installation
- Daisy chaining possible
- Durable
- Tested in all kinds of weather conditions
- Aesthetical, timeless designs
- Available in a paintable version
- Interchangeable
- Versatile- can be combined with aluminium, steel, wood posts
- Easy and minimal gate preparation

## Features

Lamp type:	LED
Lifetime:	50 000 h
Brightness:	230V AC version: 300 lumen 24V DC version: 270 lumen
Color temperature:	230V AC: 2700 K 24V DC: 2700 K
Color options:	Black Silver Anthracite Paintable
Outdoor rated:	IP65
IK rating:	IK06
Outdoor usage:	-30°C – 70°C 20-95% RH
Power consumption:	230V AC version: max 4.6W 24V DC version: max 3W
Beam Angle:	Ambient
Materials:	Aluminium, Engineered plastic
Certifications	CE



Find out more: [locinox.com](http://locinox.com) | [help@locinox.com](mailto:help@locinox.com)